



# THE WOODY

## BASS RIVER GOLF COURSE - MA

### CONTENTS

- E.01 ENGINEERING: BRIDGE DETAILS - 01
- E.02 ENGINEERING: BRIDGE DETAILS - 02
- E.03 ENGINEERING: BRIDGE DETAILS - 03
- E.04 ENGINEERING: BEAM COVER DETAILS
- ~~F.01 FACTORY DETAILS: BRIDGE~~
- ~~F.02 FACTORY DETAILS: CURB~~
- R.01 BRIDGE RENDERING W/ LOGO
- R.02 SITE RENDERING



CLIENT  
**BASS RIVER GOLF COURSE**

SITE  
62 Highbank Road  
South Yarmouth, MA 02664

LOCATION ON SITE  
---

SPECIFICATION	
TYPE	WOODY
SIZE	8'-0" X 26'-6"
FINISH	WEATHERED WOOD
GUARD RAIL	CURB
ULL	--
VLL	6,000 LBS

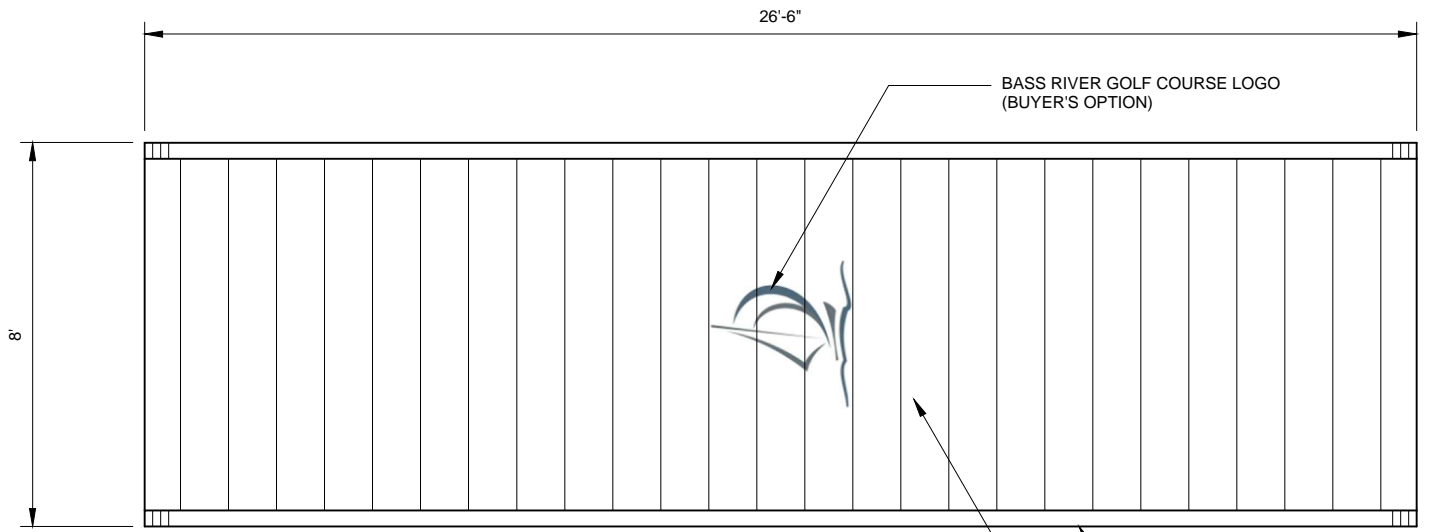
ISSUE #	02	PRELIMINARY ENGINEERING
---------	----	-------------------------

DRAWING  
**TITLE PAGE**

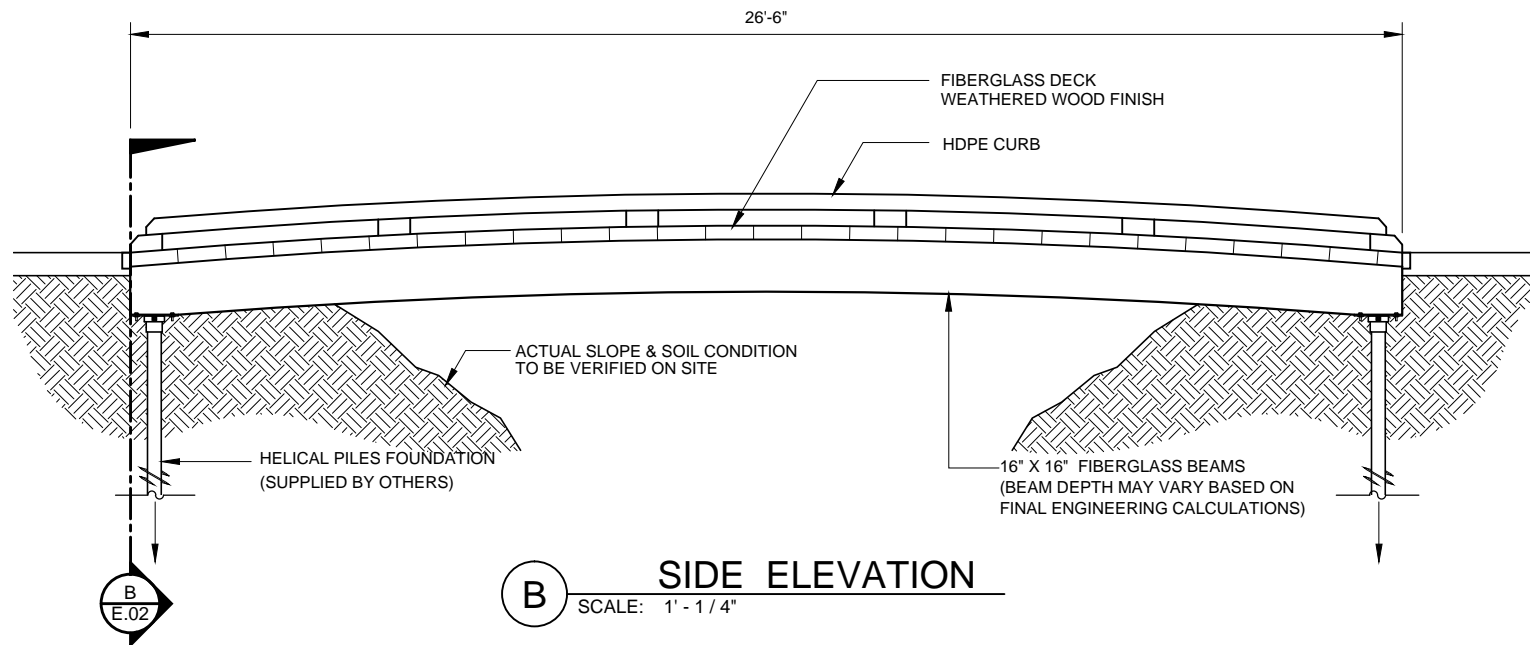
DATE	12 AUG. 2023	SHEET #	<b>E.00</b>
SCALE	N/A		
DRAWN BY	CLC		
FILE #	23-090-TP1-8X26_6WCa		



1 SE OCEAN BLVD., STUART, FL 34994 USA  
PO BOX 235, 11-300 EARL GREY DRIVE,  
KANATA, ON K2T 1C1  
PHONE: 1-888-444-0277  
EMAIL: INFO@LINKSBRIDGES.COM  
WWW.LINKSBRIDGES.COM



**A** PLAN  
SCALE: 1' - 1/4"



CLIENT  
**BASS RIVER GOLF COURSE**

SITE  
62 Highbank Road  
South Yarmouth, MA 02664

LOCATION ON SITE  
---

SPECIFICATION	
TYPE	WOODY
SIZE	8'-0" X 26'-6"
FINISH	WEATHERED WOOD
GUARD RAIL	CURB
ULL	--
VLL	6,000 LBS

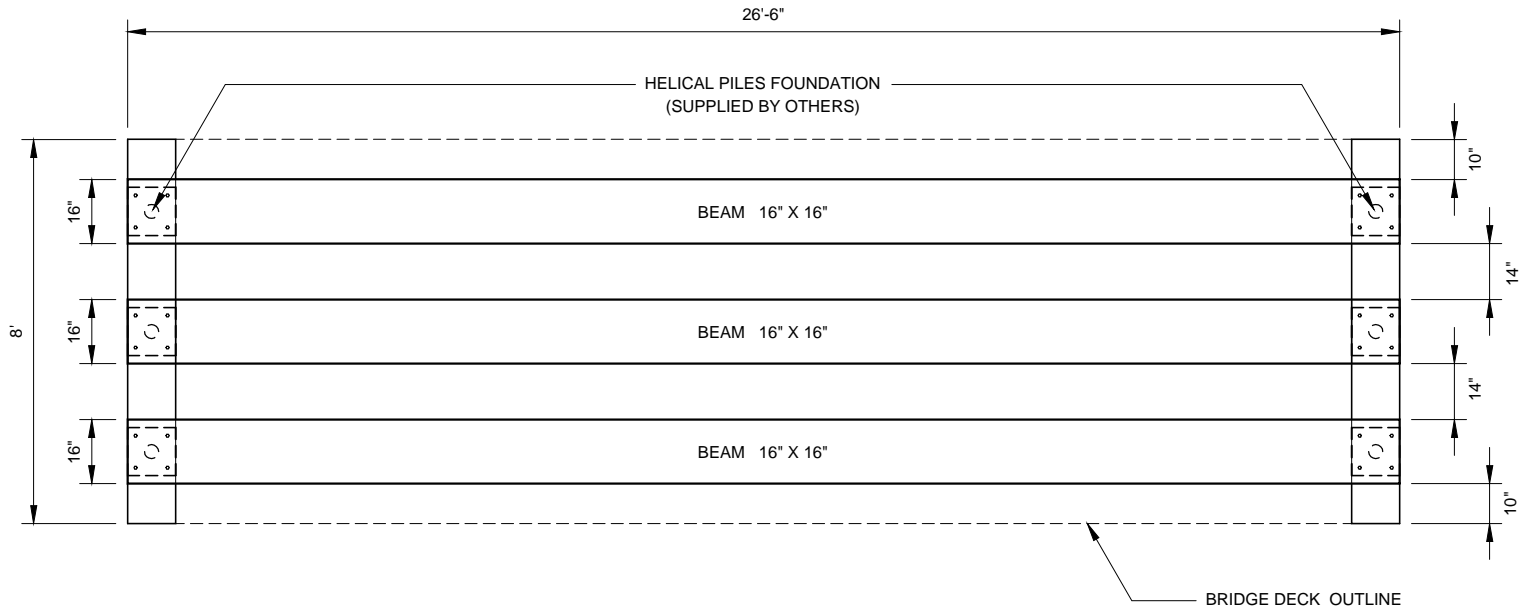
ISSUE # 02 PRELIMINARY ENGINEERING

DRAWING  
**ENGINEERING:  
BRIDGE DETAILS - 01**

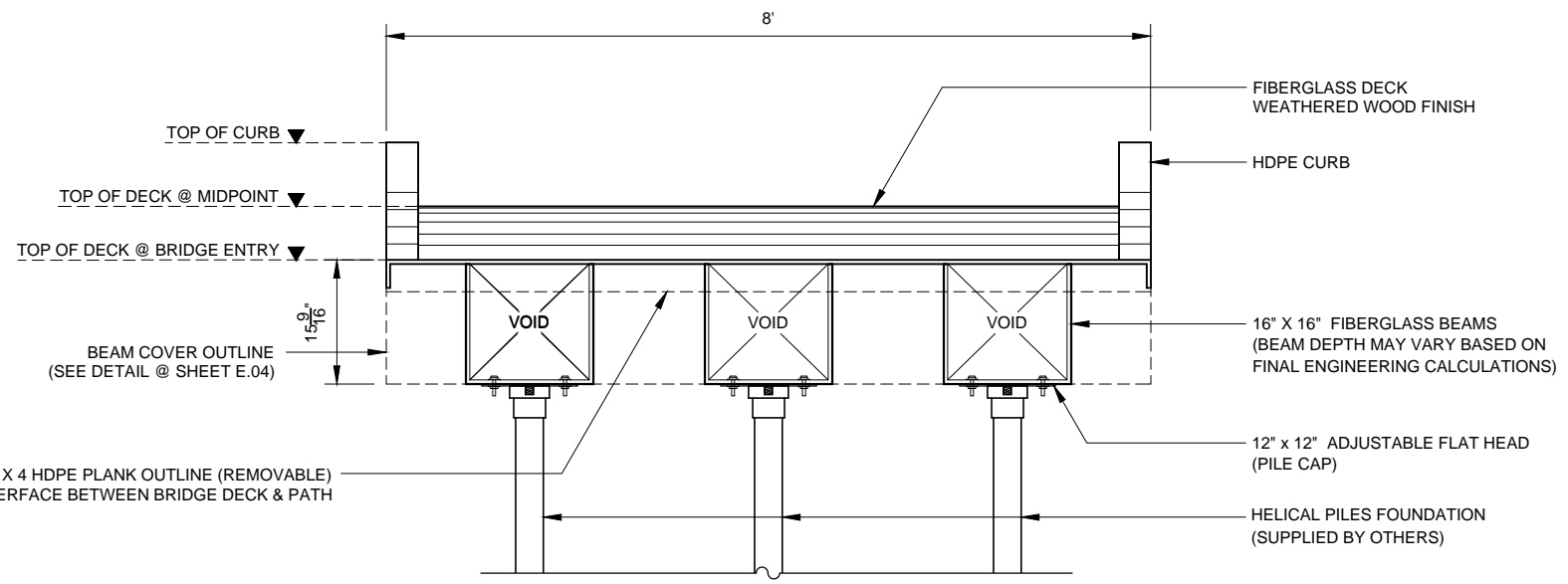
DATE	12 AUG. 2023	SHEET #	
SCALE	1' - 0" - 1/4"	E.01	
DRAWN BY	CLC		
FILE #	23-090-TP1-8X26_6WCa		



1 SE OCEAN BLVD., STUART, FL 34994 USA  
PO BOX 235, 11-300 EARL GREY DRIVE,  
KANATA, ON K2T 1C1  
PHONE: 1-888-444-0277  
EMAIL: INFO@LINKSBRIDGES.COM  
WWW.LINKSBRIDGES.COM



**A** SUB - DECK PLAN  
SCALE: 1' - 1/4"



**B** SECTION  
SCALE: 1' - 1/2"



CLIENT  
**BASS RIVER GOLF COURSE**

SITE  
62 Highbank Road  
South Yarmouth, MA 02664

LOCATION ON SITE  
---

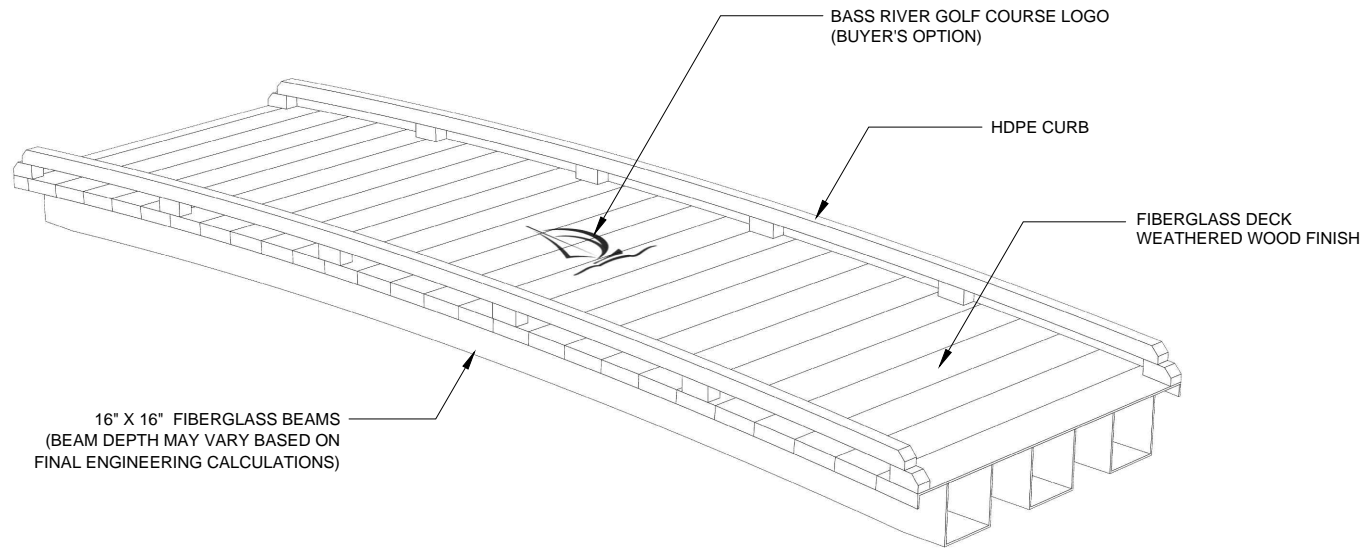
SPECIFICATION	
TYPE	WOODY
SIZE	8'-0" X 26'-6"
FINISH	WEATHERED WOOD
GUARD RAIL	CURB
ULL	--
VLL	6,000 LBS

ISSUE # 02 PRELIMINARY ENGINEERING

DRAWING  
**ENGINEERING:  
BRIDGE DETAILS - 02**

DATE	12 AUG. 2023	SHEET #	
SCALE	AS SHOWN	E.02	
DRAWN BY	CLC		
FILE #	23-090-TP1-8X26_6WCa		

1 SE OCEAN BLVD., STUART, FL 34994 USA  
PO BOX 235, 11-300 EARL GREY DRIVE, KANATA, ON K2T 1C1  
PHONE: 1-888-444-0277  
EMAIL: INFO@LINKSBRIDGES.COM  
WWW.LINKSBRIDGES.COM



**A** ISOMETRIC VIEW  
SCALE: NTS



**B** MATERIAL FINISH (DECK)  
SCALE: NTS



CLIENT  
**BASS RIVER GOLF COURSE**

SITE  
62 Highbank Road  
South Yarmouth, MA 02664

LOCATION ON SITE  
---

SPECIFICATION	
TYPE	WOODY
SIZE	8'-0" X 26'-6"
FINISH	WEATHERED WOOD
GUARD RAIL	CURB
ULL	--
VLL	6,000 LBS

ISSUE #	02 PRELIMINARY ENGINEERING
---------	----------------------------

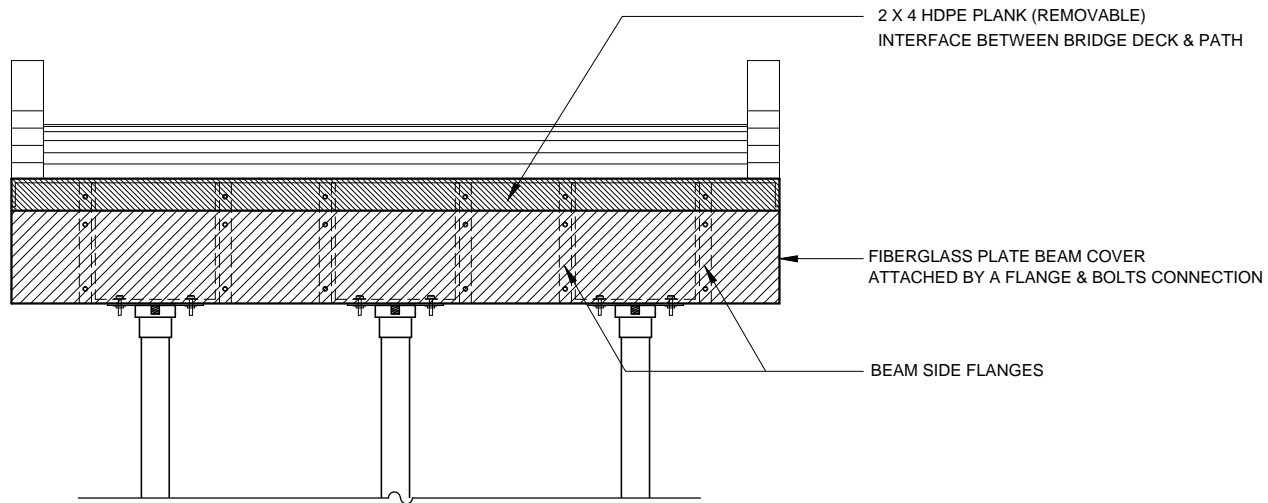
DRAWING  
**ENGINEERING:  
BRIDGE DETAILS - 03**

DATE	12 AUG. 2023	SHEET #	
SCALE	NTS	<b>E.03</b>	
DRAWN BY	CLC		
FILE #	23-090-TP1-8X26_6WCa		

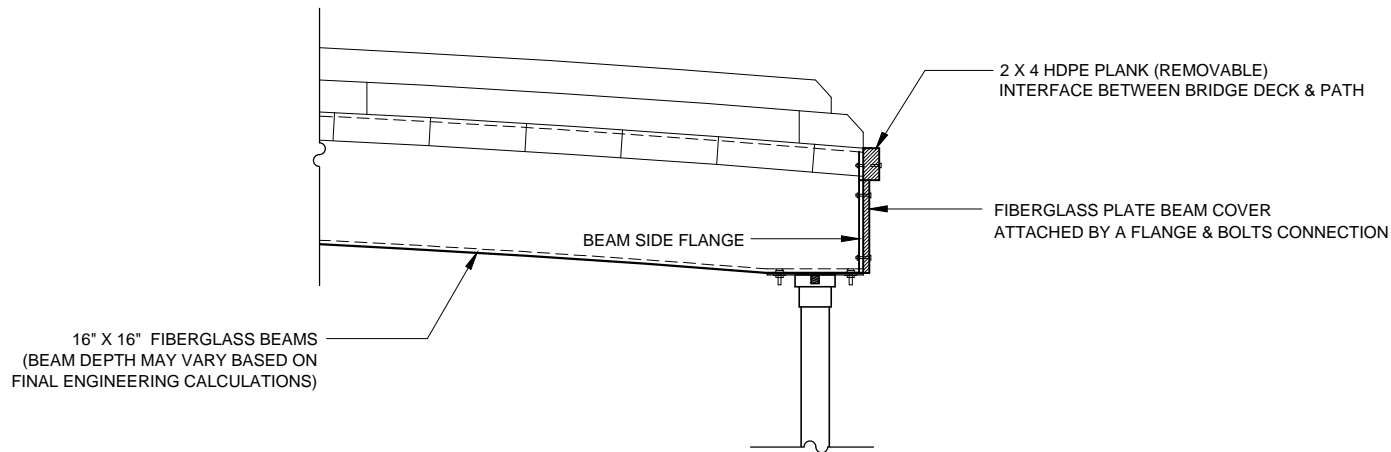


1 SE OCEAN BLVD., STUART, FL 34994 USA  
PO BOX 235, 11-300 EARL GREY DRIVE,  
KANATA, ON K2T 1C1  
PHONE: 1-888-444-0277  
EMAIL: INFO@LINKSBRIDGES.COM  
WWW.LINKSBRIDGES.COM

B  
E.04



**A** REAR ELEVATION  
SCALE: 1' - 1/2"



**B** SIDE ELEVATION  
SCALE: 1' - 1/2"

**\*NOTES:**

FIBERGLASS PLATE BEAM COVERS ARE ATTACHED TO BEAMS AFTER BEAMS ARE COMPLETELY SECURED TO THE FOUNDATIONS.



CLIENT  
**BASS RIVER GOLF COURSE**

SITE  
62 Highbank Road  
South Yarmouth, MA 02664

LOCATION ON SITE  
---

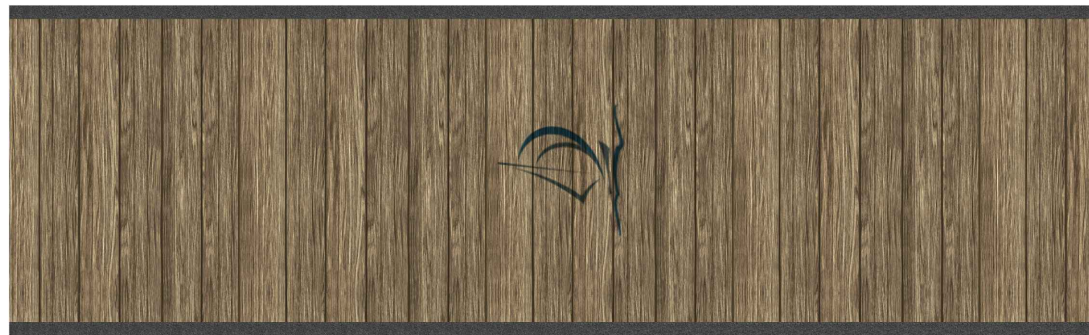
SPECIFICATION	
TYPE	WOODY
SIZE	8'-0" X 26'-6"
FINISH	WEATHERED WOOD
GUARD RAIL	CURB
ULL	--
VLL	6,000 LBS

ISSUE #	02 PRELIMINARY ENGINEERING
---------	----------------------------

DRAWING  
**ENGINEERING:  
BEAM COVER DETAILS**

DATE	12 AUG. 2023	SHEET #	
SCALE	1' - 0" - 1/2"	<b>E.04</b>	
DRAWN BY	CLC		
FILE #	23-090-TP1-8X26_6WCa		

1 SE OCEAN BLVD., STUART, FL 34994 USA  
PO BOX 235, 11-300 EARL GREY DRIVE, KANATA, ON K2T 1C1  
PHONE: 1-888-444-0277  
EMAIL: INFO@LINKSBRIDGES.COM  
WWW.LINKSBRIDGES.COM



**A** **BRIDGE RENDERING**  
SCALE: NTS

**\*NOTE:**

BUYER'S OPTION FOR LOGO ON BRIDGE DECK



CLIENT  
**BASS RIVER GOLF COURSE**

SITE  
62 Highbank Road  
South Yarmouth, MA 02664

LOCATION ON SITE  
---

SPECIFICATION	
TYPE	WOODY
SIZE	8'-0" X 26'-6"
FINISH	WEATHERED WOOD
GUARD RAIL	CURB
ULL	--
VLL	6,000 LBS

ISSUE #	02 PRELIMINARY ENGINEERING
---------	----------------------------

DRAWING  
**BRIDGE RENDERING  
W/ LOGO**

DATE	12 AUG. 2023	SHEET #
SCALE	NTS	<b>R.01</b>
DRAWN BY	CLC	
FILE #	23-090-TP1-8X26_6WCa	

1 SE OCEAN BLVD., STUART, FL 34994 USA  
PO BOX 235, 11-300 EARL GREY DRIVE,  
KANATA, ON K2T 1C1  
PHONE: 1-888-444-0277  
EMAIL: INFO@LINKSBRIDGES.COM  
WWW.LINKSBRIDGES.COM



**A** SITE PHOTO  
SCALE: NTS



**B** SITE RENDERING  
SCALE: NTS



CLIENT  
**BASS RIVER GOLF COURSE**

SITE  
62 Highbank Road  
South Yarmouth, MA 02664

LOCATION ON SITE  
---

SPECIFICATION	
TYPE	WOODY
SIZE	8'-0" X 26'-6"
FINISH	WEATHERED WOOD
GUARD RAIL	CURB
ULL	--
VLL	6,000 LBS

ISSUE #	02	PRELIMINARY ENGINEERING
---------	----	-------------------------

DRAWING  
**SITE RENDERING**

DATE	12 AUG. 2023	SHEET #
SCALE	NTS	<b>R.02</b>
DRAWN BY	CLC	
FILE #	23-090-TP1-8X26_6WCa	



1 SE OCEAN BLVD., STUART, FL 34994 USA  
PO BOX 235, 11-300 EARL GREY DRIVE,  
KANATA, ON K2T 1C1  
PHONE: 1-888-444-0277  
EMAIL: INFO@LINKSBRIDGES.COM  
WWW.LINKSBRIDGES.COM